
**THE
EQUIPMENT RULES
OF
SAILING**

for 2009–2012

International Sailing Federation

CONTENTS

Introduction	4
Part 1 – Use of Equipment	
Section A – During an Event	6
Section B – When Racing	7
Part 2 – Definitions	
Section C – General Definitions	9
Section D – Hull Definitions	14
Section E – Hull Appendage Definitions	15
Section F – Rig Definitions	17
Section G – Sail Definitions	28
Subsection A – Trilateral Sails	28
Subsection B – Additions for Other Sails	39
Part 3 – Rules Governing Equipment Control and Inspection	
Section H – Equipment Control and Inspection	41
Index of Defined Terms	44

INTRODUCTION

The Equipment Rules of Sailing consists of three parts:

- Part 1 – Rules for use of the equipment. The **boat** – the equipment used in sail racing – and the **personal equipment**
- Part 2 – Equipment definitions
- Part 3 – Rules governing equipment control and inspection

Terminology

A term used in its defined sense is printed in “**bold**” type if defined in the ERS and in “*italic*” type if defined in the RRS.

Abbreviations

ISAF	International Sailing Federation
MNA	ISAF Member National Authority
ICA	International Class Association
NCA	National Class Association
ERS	The Equipment Rules of Sailing
RRS	The Racing Rules of Sailing

Revision

The Equipment Rules are revised and published every four years by the International Sailing Federation (ISAF), the international authority for the sport. This edition becomes effective on 1 January 2009 except that for an event beginning in 2008 the date may be postponed by the Notice of Race and Sailing Instructions. Changes to the Equipment Rules are permitted under ISAF Regulations 32.1.2 and 32.2. No changes are contemplated before 2013, but any changes determined to be urgent before then will be announced through National Authorities and posted on the ISAF website (www.sailing.org).

Status

The ERS are adopted by ISAF as a code governing the use of equipment while racing. The ERS are made applicable as stated in Applicability, below:

Applicability

The ERS may be made applicable by:

- (a) **Class Rules.**
- (b) Adoption by a rating authority for racing under its jurisdiction.
- (c) Adoption in the notice of race and sailing instructions for an event.
- (d) Prescriptions of an MNA for racing under its jurisdiction.
- (e) Other ISAF codes and rules adopted by Council.

Changes

The ERS may only be changed as follows:

INTRODUCTION

- (a) Prescriptions of an MNA may change an ERS rule, for racing under its jurisdiction.
- (b) Sailing instructions may change an ERS rule by referring specifically to it and stating the change, but may not change any portion of the ERS adopted in **class rules**.
- (c) A rating authority may change an ERS rule for racing within its jurisdiction.
- (d) **Class rules** may change ERS rules B.7, B.9, H1, H2, H3, H.4, H5 and H.6.

These restrictions do not apply if rules are changed to develop or test proposed rules in local races. The MNA may prescribe that its approval is required for such changes.

Marginal markings indicate substantial changes and additions to the 2005 – 2008 edition.

PART 1 – USE OF EQUIPMENT

Section A – During an Event

A.1 CLASS RULES

A.1.1 Boats without Class Rules

The **boat** and other items of equipment shall comply with the ERS Part 1.

A.1.2 Boats with Class Rules

The **boat** and other items of equipment shall comply with its **class rules**, and the ERS Part 1 except as changed by its **class rules** to the extent permitted by Changes (c) or (d)¹.

A.2 CERTIFICATE

A.2.1 Having a Certificate

The **boat** shall have such valid **certificate** as required by its **class rules** or the **certification authority**.

A.2.2 Compliance with a Certificate

The **boat** shall comply with its **certificate**.

See also RRS rule 78 Compliance with Class Rules; Certificates.

A.3 IDENTIFICATION ON SAILS

See RRS rule 77 Identification on Sails.

A.4 ADVERTISING

See ISAF Regulation 20, Advertising Code. (www.sailing.org/regulations)

A.5 SKIN FRICTION

See RRS rule 53 Skin Friction.

A.6 EQUIPMENT INSPECTION

See RRS rule 78 Compliance with Class Rules; Certificates.

¹ See page 5, Introduction.

Section B – When Racing

B.1 LIFE-SAVING EQUIPMENT AND PERSONAL FLOTATION DEVICES

See RRS rule 1 Safety and RRS rule 40 Personal Flotation Devices.

B.2 PERSONAL EQUIPMENT

See RRS rule 43 Competitor Clothing and Equipment.

B.3 LIMITATIONS ON EQUIPMENT

See RRS rule 47 Limitations on Equipment and Crew.

B.4 LIMITATIONS ON CREW AND CREW POSITION

See RRS rule 47 Limitations on Equipment and Crew and RRS rule 49 Crew Position.

B.5 MANUAL POWER

See RRS rule 52 Manual Power.

B.6 EJECTING OR RELEASING OF SUBSTANCE

See RRS rule 53 Skin Friction.

B.7 SETTING OF SPARS

B.7.1 Mainsail, Foresail and Mizzen Booms set on a Mast

When the sail is set on a **main boom**, **foremast boom** or **mizzen boom**, the extension of the upper edge of the **spar** shall intersect the mast **spar** above the **lower limit mark**, with the boom **spar** on the mast **spar** centreplane and at 90° to the mast **spar**.

B.7.2 Headsail Booms

The fore end of the boom **spar** shall be approximately on the **boat** centreplane.

B.7.3 Spinnaker and Whisker Poles

See RRS rule 50 Setting and Sheeting Sails.

B.7.4 Bowsprits

The **inner limit mark** shall not be outboard the **hull** when the **bowsprit** is set.

B.8 SETTING OF RIGGING

B.8.1 Forestays

See RRS rule 54 Forestays and Headsail Tacks.

B.9 SETTING, SHEETING AND CHANGING SAILS

B.9.1 Trilateral Mainsails, Foresails and Mizzen

- (a) The **sail** shall be below the mast **upper limit mark**.
- (b) The **leech**, extended as necessary, shall intersect the upper edge of the boom **spar** forward of the **outer limit mark**.
- (c) The **foot** of a loose footed sail, extended as necessary, shall intersect the mast **spar** above the **lower limit mark**.

B.9.2 Headsails set on a Bowsprit

The **tack** of any **headsail** set on a **bowsprit** shall be attached aft of the **outer limit mark**.

See also RRS rule 54 Forestays and Headsail Tacks.

B.9.3 Spinnaker Staysails and Mizzen Staysails

The **tack** shall be inboard the **sheerline**.

See also RRS rule 50 Setting and Sheeting Sails.

B.10 CENTRE OF GRAVITY

B.10.1 Corrector weights shall be securely fixed.

See also RRS rule 51 Movable Ballast.

B.11 ANCHORING, MAKING FAST AND HAULING OUT

See RRS rule 45 Hauling Out; Making Fast; Anchoring.

B.12 FOG SIGNALS AND LIGHTS

See RRS rule 48 Fog Signals and Lights.

PART 2 – DEFINITIONS

Section C – General Definitions

C.1 CLASS

C.1.1 Class Authority

The body that governs the class as specified in the **class rules**.

C.2 RULES

C.2.1 Class Rules

The rules that specify:

the **boat** and its use, **certification** and administration.

the **crew**.

the **personal equipment** and its use, **certification** and administration.

any other equipment and its use, **certification** and administration.

changes to the Racing Rules of Sailing as permitted by RRS 86.1(c).

C.2.2 Closed Class Rules

Class rules where anything not specifically permitted by the **class rules** is prohibited.

C.2.3 Open Class Rules

Class rules where anything not specifically prohibited by the **class rules** is permitted.

C.2.4 Class Rules Authority

The body that provides final approval of the **class rules**, **class rule** changes and **class rule** interpretations.

C.3 CERTIFICATION

C.3.1 Certification Authority

For the **hull**: the ISAF, the MNA of the owner, or their delegates.

For other items: the ISAF, the MNA in the country where the **certification** shall take place, or their delegates.

C.3.2 Certify

To issue a **certificate**, or to attach a **certification mark** after successful **certification control**.

C.3.3 Certificate

Documentary proof, issued by the **certification authority**, of successful **certification control** of the **hull**, or any other parts required by the **class rules** or a **certification authority**.

C.3.4 Certification Mark

Proof of successful **certification control** of a part requiring **certification**, attached or made by an **official measurer**.

C.4 CERTIFICATION CONTROL AND EQUIPMENT INSPECTION

See H.1 and H.2.

C.4.1 Fundamental Measurement

The control methods used as the primary means to establish the physical properties of equipment.

C.4.2 Certification Control

Control for **certification** required by **class rules**, or a **certification authority**, which may include **fundamental measurement**.

C.4.3 Equipment Inspection

Control carried out at an event as required by the notice of race and the sailing instructions which may include **fundamental measurement**.

C.4.4 Official Measurer

A person appointed or recognised, by the MNA of the country where the control takes place, to carry out **certification control** and when the **class rules** permit, **certification**.

C.4.5 In-House Official Measurer

An **official measurer** appointed in accordance with the ISAF In-House Certification Programme.

C.4.6 Equipment Inspector

A person appointed by a race committee to carry out **equipment inspection**.

C.4.7 International Measurer

A person authorised by the ISAF to inspect prototype boats of specific ISAF classes and recognised by ISAF as qualified to assist in **equipment inspection** at international events for those classes.

C.4.8 Limit Mark

A clearly visible mark of a single colour, contrasting to the part(s) on which it is placed, indicating a measurement point.

C.4.9 Event Limitation Mark

A mark placed by a race committee on equipment whose replacement at the event is controlled by the **class rules**.

C.5 PERSONAL DEFINITIONS

C.5.1 Crew

A competitor, or team of competitors, that operates a **boat**.

C.5.2 Skipper

The **crew** member onboard who is in charge of the **boat** and the **crew** and all other persons aboard.

C.5.3 Personal Equipment

All personal effects carried or worn and items worn on board to keep warm and/or dry, and/or to protect the body, **personal flotation device**, safety harnesses and hiking aids worn to keep the person aboard or afloat.

C.5.4 Personal Flotation Device

Personal safety equipment as specified in the sailing instructions to assist the user to float when immersed in water.

C.6 BOAT DEFINITIONS

C.6.1 Boat

The equipment used by the **crew** to take part in a race.

It comprises:

hull(s)

structure(s) connecting **hulls**

hull appendage(s)

ballast

rig

sail(s)

fittings

boat **corrector weights**

all other items of sports equipment used excluding consumables and **personal equipment**.

C.6.2 Boat Types

(a) MONOHULL

A **boat** with one **hull**.

(b) MULTIHULL

A **boat** with more than one **hull**.

(c) WINDSURFER

A **boat**.

(d) KITE-BOARD

A **boat**.

C.6.3 Boat Control Definitions

(a) MAJOR AXES

The three major axes of the boat at 90° to each other – vertical, longitudinal and transverse – shall be related to the baseline and the hull centreplane.

See H.3.

(b) MEASUREMENT TRIM

Measurement trim is achieved when either, as specified in **class rules**,

(i) two points on the **hull(s)** are at set distances perpendicular to a plane – the plane, the points and distances to be specified in **class rules**,

or

(ii) as determined by flotation with the **boat** in the condition as specified in **class rules**.

(c) WATERLINE

The line(s) formed by the intersection of the outside of the **hull(s)** and

(i) a plane specified in the **class rules**,

or

(ii) the water surface when the **boat** is floating in **measurement trim**.

(d) WATERPLANE

The plane passing through the **waterline**.

(e) BALLAST

Weight installed to influence the stability, flotation or total weight of the **boat**.

Ballast types:

(i) INTERNAL BALLAST

Ballast positioned inside a **hull**.

(ii) EXTERNAL BALLAST

Ballast positioned outside a **hull**.

(iii) MOVEABLE BALLAST

Internal **ballast** or external **ballast** that may be moved.

(iv) VARIABLE BALLAST

Water **ballast** the amount of which may be varied.

(v) CORRECTOR WEIGHT

Weight installed in accordance with the **class rules** to correct deficiency in weight and/or its distribution.

C.6.4 Boat Dimensions

(a) BOAT LENGTH

The longitudinal distance between the aftermost point and the foremost point of the **boat** with **sails** and **spars** set as appropriate.

See H.3.4.

(b) BOAT BEAM

The transverse distance between the outermost points of the **boat**.

(c) WATERLINE LENGTH

The longitudinal distance between the aftermost point and the foremost point of the **waterline**.

(d) WATERLINE BEAM

The transverse distance between the outermost points of the **waterline**.

(e) DRAFT

The vertical distance between the **waterplane** and the lowest point of the **boat**.

(f) MINIMUM DRAFT

The **draft** with all **hull appendages** in their highest position.

(g) MAXIMUM DRAFT

The **draft** with all **hull appendages** in their lowest position.

(h) BOAT WEIGHT

The weight of the **boat**.

Section D – Hull Definitions

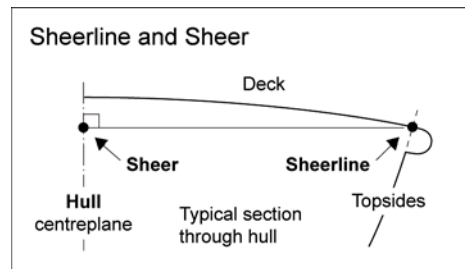
D.1 HULL TERMS

D.1.1 Hull

The shell including any transom, the deck including any superstructure, the internal structure including any cockpit, the fittings associated with these parts and any **corrector weights**.

D.1.2 Sheerline

The line formed by the intersection of the top of the deck and the outside of the **hull** shell, each extended as necessary.



D.1.3 Sheer

The projection of the **sheerline** on the centreplane.

D.2 HULL MEASUREMENT POINTS

D.2.1 Hull Datum Point

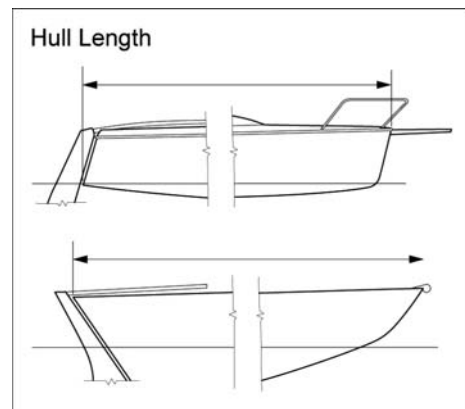
A point on the **hull** specified in the **class rules** from which **hull** measurements can be taken.

D.3 HULL DIMENSIONS

D.3.1 Hull Length

The longitudinal distance between the aftermost point and the foremost point on the **hull(s)**, excluding fittings.

See H.3.4.



D.3.2 Hull Beam

The maximum transverse distance between the outermost points of the **hull(s)** excluding fittings.

D.4 WEIGHT

D.4.1 Hull Weight

The weight of the **hull**.

Section E – Hull Appendage Definitions

E.1 HULL APPENDAGE TERMS

E.1.1 Hull Appendage

Any item of equipment – including the items listed in E.1.2– which is:

wholly or partly below the **sheerline** or its extension when fixed or when fully exposed if retractable,

attached to the **hull** shell or another **hull appendage**, and

used to affect: stability, leeway, steerage, directional stability, motion damping, trim, displaced volume,

Any of the following shall be included in the **hull appendage**:

corrector weights,

integral **ballast**, and

associated fittings.

E.1.2 Hull Appendage Types

(a) KEEL

A fixed **hull appendage**, attached approximately on the **hull** centreplane, primarily used to affect stability and leeway.

(b) BILGE KEEL

A fixed **hull appendage**, attached off the **hull** centreplane, primarily used to affect stability and leeway.

(c) CANTING KEEL

A movable **hull appendage** primarily used to affect stability, attached approximately on the **hull** centreplane and rotating around a single longitudinal axis.

(d) FIN

A fixed **hull appendage** primarily used to affect leeway or directional control.

(e) BULB

A **hull appendage** containing **ballast** at the bottom of another **hull appendage** primarily used to affect stability.

(f) SKEG

A **fin** attached immediately in front of a **rudder**.

(g) CENTREBOARD

A retractable **hull appendage**, attached approximately on the **hull** centreplane and rotating about a single transverse axis which may move in relation to the **hull**, primarily used to affect leeway.

(h) DAGGERBOARD

A retractable **hull appendage**, attached approximately on the **hull** centreplane and not rotating, primarily used to affect leeway.

(i) BILGEBOARD

A retractable **hull appendage**, attached off the **hull** centreplane, primarily used to affect leeway.

(j) RUDDER

A movable **hull appendage** primarily used to affect steerage.

(k) TRIM TAB

When a **rudder(s)** is used, a movable **hull appendage**, attached at the aft, or fore edge of another **hull appendage**.

Section F – Rig Definitions

F.1 GENERAL RIG TERMS

F.1.1 Rig

The **spars, spreaders, rigging**, fittings and any **corrector weights**.

F.1.2 Rig Types

(a) UNA RIG

A single-masted **rig** with a **mainsail** only.

(b) SLOOP RIG

A single-masted **rig** with a **mainsail** and one staysail **headsail**.

(c) CUTTER RIG

A single-masted **rig** with more than one staysail **headsail**.

(d) KETCH RIG

A two-masted **rig** with the fore mast – the **mainmast** – taller than the aft mast – the **mizzenmast** – set forward of the rudder stock.

(e) YAWL RIG

A two-masted **rig** with the fore mast – the **mainmast** – taller than the aft mast – the **mizzenmast** – set aft of the rudder stock.

(f) SCHOONER RIG

A two-masted **rig** with the fore mast – the **foremast** – shorter than, or the same height as, the aft mast – the **mainmast**.

F.1.3 Spar

The main structural part(s) of the **rig**, to, or from which **sails** are attached and/or supported.

F.1.4 Spar Types

(a) MAST

A **spar** on which the **head** or **throat** of a **sail**, or a **yard**, is set. Includes its **rigging, spreaders**, fittings and any **corrector weights**, but not fittings that are not essential to the function of the mast as part of the **rig**.

(b) MAST TYPES

(i) MAINMAST

(a) The only **mast** in a **una rig, sloop rig** or **cutter rig**.

(b) The fore **mast** in a **ketch rig** or **yawl rig**.

(c) The aft **mast** in a **schooner rig**.

(ii) FOREMAST

The fore **mast** in a **schooner rig**.

(iii) MIZZENMAST

The aft **mast** in a **ketch rig** or **yawl rig**.

(c) BOOM

A **spar** attached at one end to a mast **spar** or a **hull** and on which the **clew** of a **sail** is set and on which the **tack** and/or **foot** of the **sail** may be set. Includes its **rigging**, fittings and any **corrector weights**, but not **running rigging**, **running rigging** blocks and/or any kicking strap/strut arrangement.

(d) BOOM TYPES

(i) FORESAIL BOOM

A **boom** attached to a **foremast spar** to support a **foresail**.

(ii) HEADSAIL BOOM

A **boom** attached to a **hull** to support a **headsail clew**.

(iii) MAIN BOOM

A **boom** attached to a **mainmast spar** to support a **mainsail**.

(iv) MIZZEN BOOM

A **boom** attached to a **mizzenmast spar** to support a **mizzen**.

(v) WISHBONE BOOM

A double **boom** attached to a mast **spar** to support a **sail** and which has one **spar** on each side of the **sail**.

(e) OTHER SPAR TYPES

Other spar types include their **rigging**, fittings and any **corrector weights**, but not **running rigging**.

(i) SPINNAKER POLE

A **spar** attached to the mast **spar** to set a spinnaker.

(ii) WHISKER POLE

A **spar** attached to the mast **spar** and a **headsail clew**.

(iii) BOWSPRIT

A hull **spar** extending forward to attach **rigging** and/or the **tack** of a **headsail**, or **headsails**.

(iv) BUMPKIN

A hull **spar** extending aft to sheet a **sail** and/or attach **rigging**.

(v) GAFF

A **spar** attached at one end to a mast **spar** to set the peak, throat and/or head of a quadrilateral **sail**.

(vi) SPRIT

A **spar** attached at one end to a mast **spar** or a hull to set only the peak of a quadrilateral **sail**.

(vii) YARD

A **spar** hoisted on a mast **spar** at a point between its ends to set the **head** of a quadrilateral sail or the **luff** of a lateen **sail**.

F.1.5 Rigging

Any equipment attached at one or both ends to **spars, sails** or other **rigging** and capable of working in tension only. Includes associated fittings which are not permanently fixed to a **hull, spar** or **spreader**.

F.1.6 Rigging Types

(a) STANDING RIGGING

Rigging used to support a mast **spar** or hull **spar**. It may be adjustable.

Standing Rigging types:

(i) SHROUD

Rigging providing transverse support for a mast **spar** or hull **spar** and which may also provide longitudinal support.

(ii) STAY

Rigging mainly providing longitudinal support for a mast **spar** or hull **spar** and or supporting a **sail**.

(iii) FORESTAY

Rigging providing forward support for a mast **spar**.

(b) RUNNING RIGGING

Rigging primarily used to trim a **spar** and/or a **sail**.

Running Rigging types:

(i) HALYARD

Rigging to hoist a **sail, spar**, flag or a combination thereof.

(ii) BACKSTAY

Rigging mainly providing aft support for a mast **spar** above the **upper limit mark**.

(iii) RUNNING BACKSTAY

Rigging providing aft support for a mast **spar** at a point, or points, between the **upper limit mark** and the **forestay rigging point**.

(iv) CHECKSTAY

Rigging providing aft support for a mast **spar** at a point, or points, between the **lower limit mark** and the **forestay rigging point**.

(v) OUTHAUL

Rigging to trim the **clew** of a **sail** along a boom **spar**.

(vi) SHEET

Rigging to trim the **clew** of a **sail**, or a boom **spar**.

(vii) SPINNAKER GUY

Rigging to trim the **tack** of a spinnaker.

F.1.7 Spreader

Any equipment attached at one or both ends to **spars, sails** or other **rigging** and capable of working in compression.

F.1.8 Foretriangle

The area formed by the foreside of the foremost mast **spar**, the foremost **forestay** and the deck including any superstructure.

F.1.9 Limit Marks

(a) LIMIT MARK DIMENSIONS

(i) LIMIT MARK WIDTH

The minimum width measured in the length direction of the **spar**.

F.2 MAST MEASUREMENT DEFINITIONS

F.2.1 Mast Measurement Points

(a) MAST DATUM POINT

The point on the **mast** specified in the **class rules** used as a datum for measurement.

(b) HEEL POINT

The lowest point on the **spar** and its fittings.

(c) TOP POINT

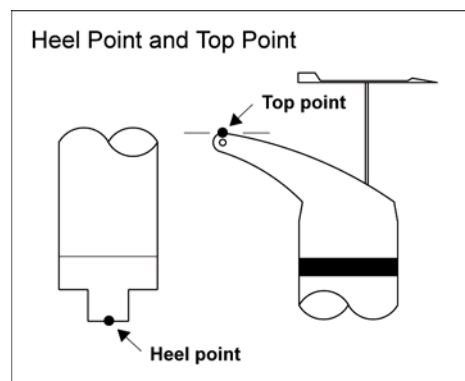
The highest point on the **spar** and its fittings.

(d) LOWER POINT

The highest point of the **lower limit mark** at the aft edge of the **spar**.

(e) UPPER POINT

The lowest point of the **upper limit mark** at the aft edge of the **spar**.



F.2.2 Mast Limit Marks

(a) LOWER LIMIT MARK

The **limit mark** for the setting of a boom **spar** or **sail**.

(b) UPPER LIMIT MARK

The **limit mark** for the setting of a **sail**.

F.2.3 Mast Dimensions

See H.4.

(a) MAST LENGTH

The distance between the **heel point** and the **top point**.

(b) LOWER POINT HEIGHT

The distance between the **mast datum point** and the **lower point**.

(c) UPPER POINT HEIGHT

The distance between the **mast datum point** and the **upper point**.

(d) RIGGING POINT

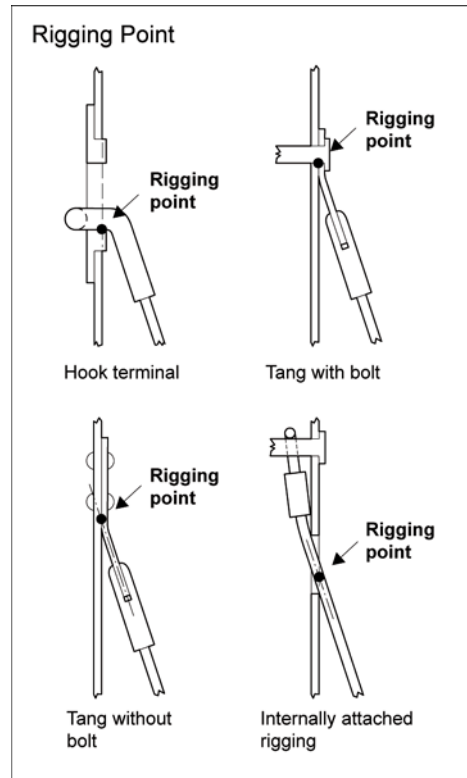
When **rigging** is attached:

BY HOOK TERMINAL: The lowest point of the hook where it intersects the **spar**, extended as necessary.

BY TANG WITH THROUGH FIXING: The lowest point of the **spar** through fixing where it intersects the **spar**.

BY EYE WITH BOLT OR OTHER THROUGH FIXING: The lowest point of the **spar** bolt, or through fixing, where it intersects the **spar**.

IN OTHER WAYS: The intersection of the outside of the **spar**, extended as necessary, and the centreline of the **rigging**.

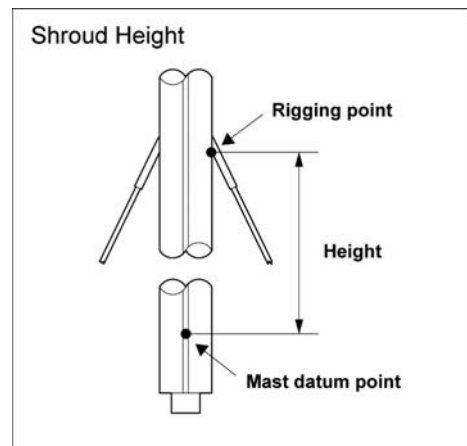
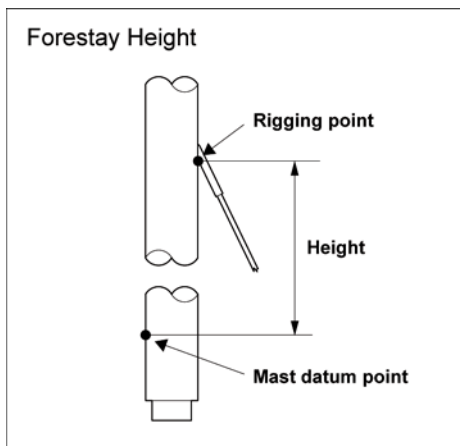


(e) FORESTAY HEIGHT

The distance between the **mast datum point** and the **rigging point**.

(f) SHROUD HEIGHT

The distance between the **mast datum point** and the **rigging point**.



(g) BACKSTAY HEIGHT

The distance between the **mast datum point** and the **rigging point** or the **top point** whichever is the lowest.

(h) CHECKSTAY HEIGHT

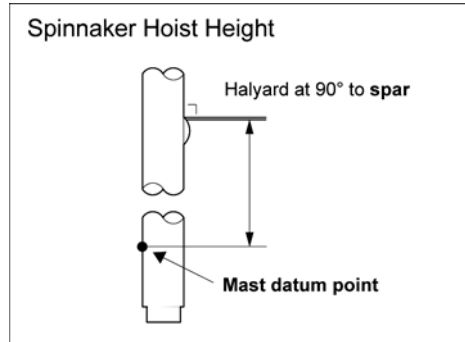
The distance between the **mast datum point** and the **rigging point**.

(i) TRAPEZE HEIGHT

The distance between the **mast datum point** and the **rigging point**.

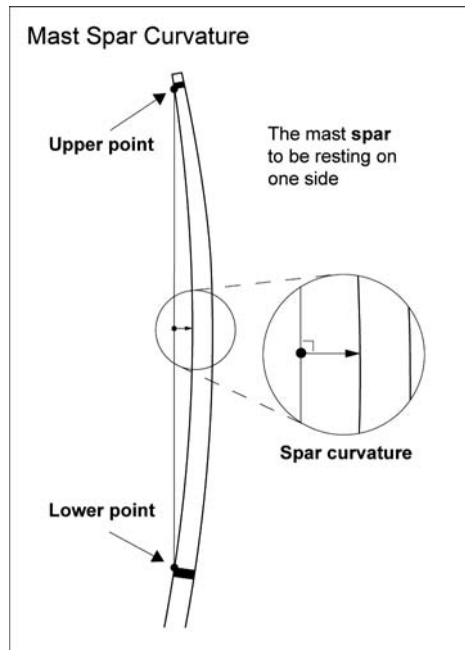
(j) SPINNAKER HOIST HEIGHT

The distance between the **mast datum point** and the intersection of the **spar** and the lower edge of the spinnaker **halyard**, when at 90° to the **spar**, each extended as necessary.



(k) MAST SPAR CURVATURE

The greatest distance between the **spar** and a straight line from the **upper point** to the **lower point** taken at 90° to the straight line when the **spar** is resting on one side.



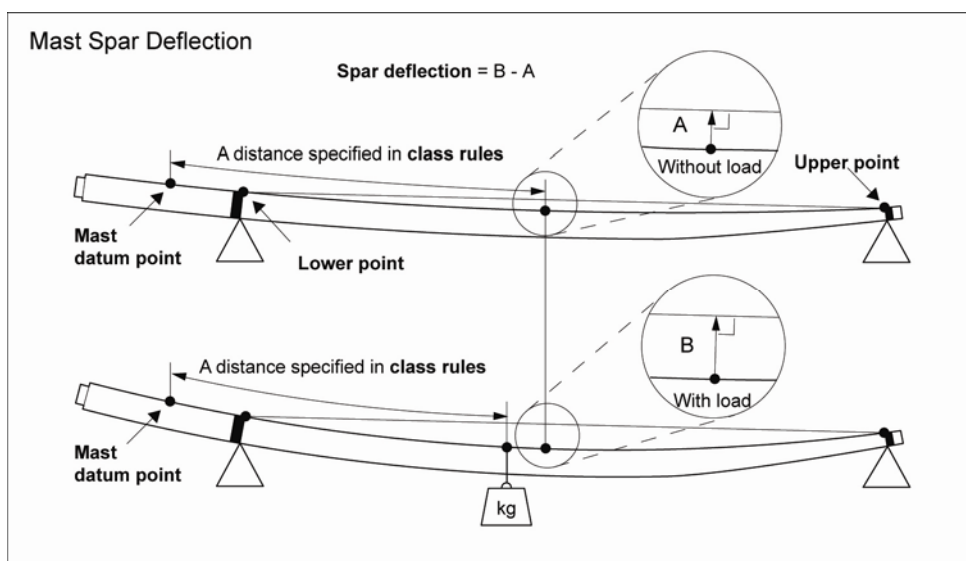
(l) MAST SPAR DEFLECTION

The difference in distance, at a specified distance from the **mast datum point**, between the **spar** and a straight line from the **upper point** to the **lower point** taken at 90° to the straight line with and without a specified load at the specified distance when the **spar** is horizontal at and supported at these points.

(i) FORE-AND-AFT: Measured with the aft edge up.

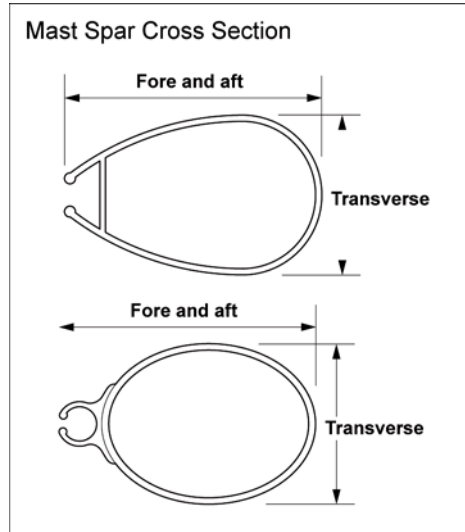
(ii) TRANSVERSE: Measured with one side up.

See H.4.5.



(m) MAST SPAR CROSS SECTION

- (i) FORE-AND-AFT: The fore-and-aft dimension, including any **sail track**, at a specified distance from the **mast datum point**.
- (ii) TRANSVERSE: The transverse dimension, at a specified distance from the **mast datum point**.



(n) MAST SPAR WEIGHT

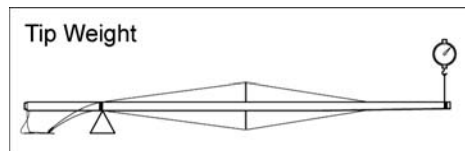
The weight of the **spar** including fittings and **corrector weights**.

(o) MAST WEIGHT

The weight of the **mast**.

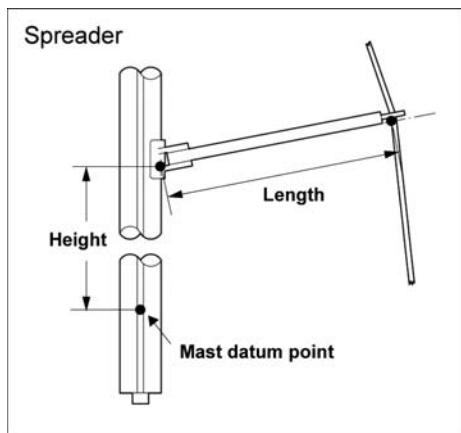
(p) MAST TIP WEIGHT

The weight of the **mast** measured at the **upper point** when the **spar** is supported at the **lower point**.



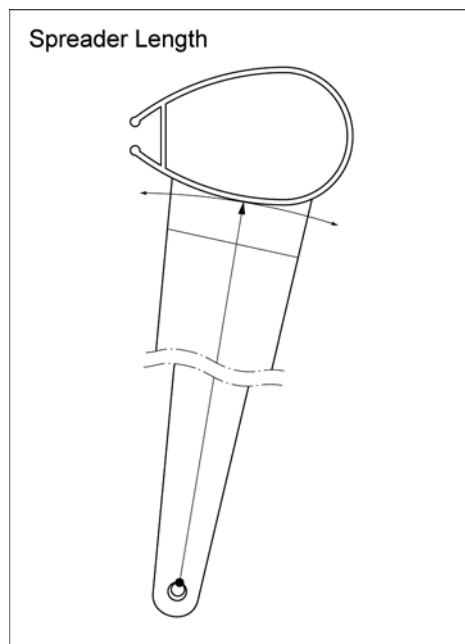
See H.4.6.

F.2.4 Mast Fittings

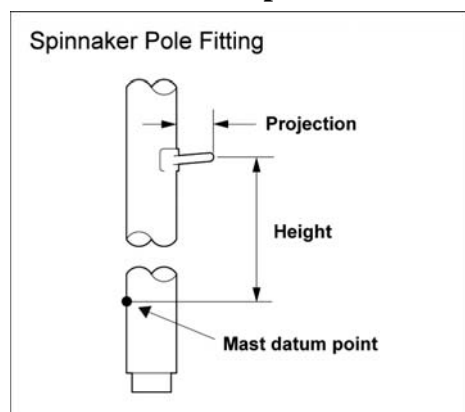


(a) SPREADER

- (i) LENGTH: The distance between the inner edge of the **shroud** at the lower edge of the **spreader** and the intersection of the lower edge of the **spreader**, extended as necessary, and the **spar**.
- (ii) HEIGHT: The distance between **mast datum point** and the intersection of the lower edge of the **spreader**, extended as necessary, and the **spar**.



(b) SPINNAKER POLE FITTING



- (i) **HEIGHT**: The distance between the **mast datum point** and the centre of the highest bearing part of the fitting.
- (ii) **PROJECTION**: The shortest distance between the outermost point of the fitting and the **spar**.

F.3 BOOM MEASUREMENT DEFINITIONS

F.3.1 Boom Measurement Points

(a) **OUTER POINT**

The point on the boom **outer limit mark**, at the upper edge of the **spar**, nearest the fore end of the **spar**.

F.3.2 Boom Limit Marks

(a) **OUTER LIMIT MARK**

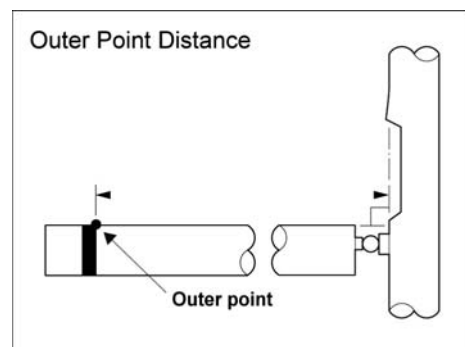
The **limit mark** for the setting of a **mainsail, foresail or mizzen**.

F.3.3 Boom Dimensions

See H.4.

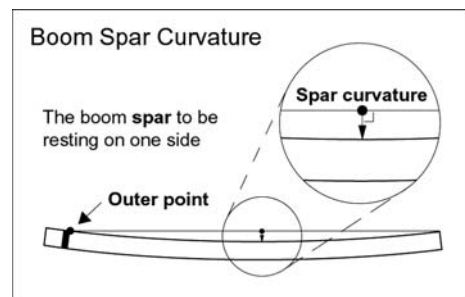
(a) **OUTER POINT DISTANCE**

The distance between the **outer point** and the aft edge of the mast **spar**, with the boom **spar** on the mast **spar** centreplane and at 90° to the mast **spar**.



(b) **BOOM SPAR CURVATURE**

The greatest distance between the **spar** and a straight line from the uppermost fore end of the **spar** to the **outer point** or, where there is no **outer point**, to the uppermost aft end of the **spar**, taken at 90° to the straight line when the spar is resting on one side.



(c) **BOOM SPAR DEFLECTION**

The difference in distance, at a specified distance from the **outer point**, between the **spar**

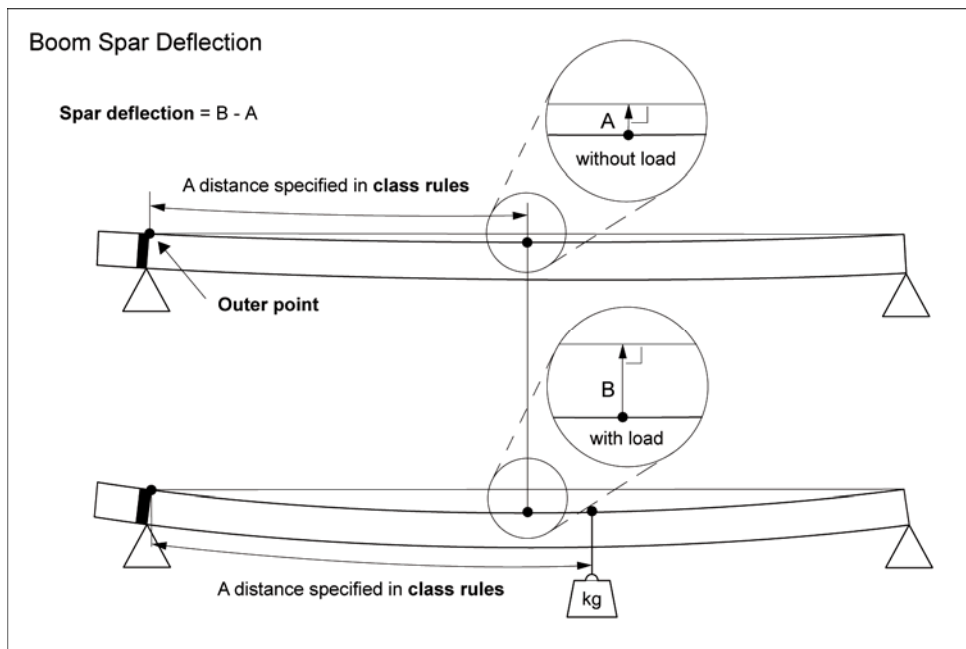
and a straight line from the **outer point** to the top of the fore end of the **spar**

taken at 90° to the straight line and with and without a specified load at the specified distance when the **spar** is horizontal and supported at these points.

(i) VERTICAL: Measured with the top edge up.

(ii) TRANSVERSE: Measured with one side up.

See H.4.5.



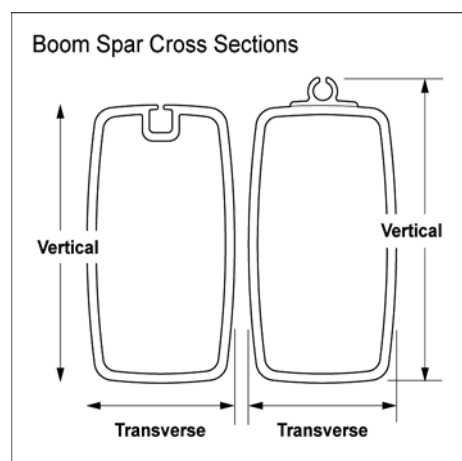
(d) BOOM SPAR CROSS SECTION

(i) VERTICAL: The vertical dimension, including any **sail** track, at a specified distance from the **outer point**.

(ii) TRANSVERSE: The transverse dimension at a specified distance from the **outer point**.

(e) BOOM WEIGHT

The weight of the **boom**.



F.4 SPINNAKER/WHISKER POLE MEASUREMENT DIMENSIONS

See H.4.

- (a) SPINNAKER/WHISKER POLE LENGTH

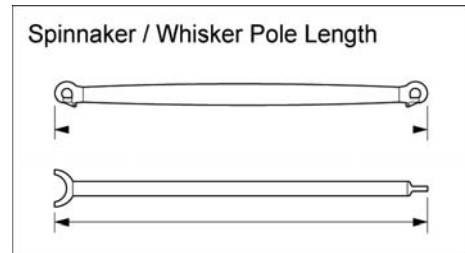
The distance between the ends of the **spinnaker/whisker pole**.

- (b) SPINNAKER/WHISKER POLE SPAR CROSS SECTION

The sectional dimensions at specified distances from an end of the **spinnaker/whisker pole**.

- (c) SPINNAKER/WHISKER POLE WEIGHT

The weight of the **spinnaker/whisker pole**.



F.5 BOWSPRIT MEASUREMENT DEFINITIONS

F.5.1 Bowsprit Measurement Points

- (a) BOWSPRIT INNER POINT

The point of the **bowsprit inner limit mark**, at the upper edge of the **spar**, nearest the outboard end of the **spar**.

- (b) BOWSPRIT OUTER POINT

The point of the **bowsprit outer limit mark**, at the upper edge of the **spar**, nearest the inner end of the **spar**, or the outboard end of the **spar** when there is no **outer limit mark**.

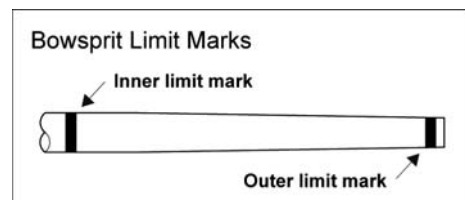
F.5.2 Bowsprit Limit Marks

- (a) BOWSPRIT INNER LIMIT MARK

The **limit mark** for the setting of the **spar**.

- (b) BOWSPRIT OUTER LIMIT MARK

The **limit mark** for the setting of a **headsail**.



F.5.3 Bowsprit Dimensions

See H.4.

- (a) BOWSPRIT POINT DISTANCE

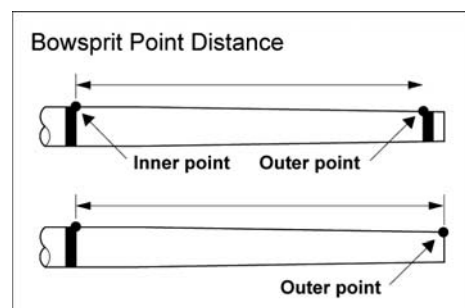
The distance between the **bowsprit inner point** and the **bowsprit outer point**.

- (b) BOWSPRIT SPAR CROSS SECTION

The sectional dimensions at specified positions.

- (c) BOWSPRIT WEIGHT

The weight of the **bowsprit**.



F.6 FORETRIANGLE MEASUREMENT DEFINITIONS

F.6.1 Foretriangle Dimensions

(a) FORETRIANGLE BASE

The longitudinal distance between the intersection of the fore side of the mast **spar**, extended as necessary, and the deck including any superstructure, and the intersection of the centreline of the **forestay**, extended as necessary, and the deck, or bowsprit **spar**.

See H.3.4.

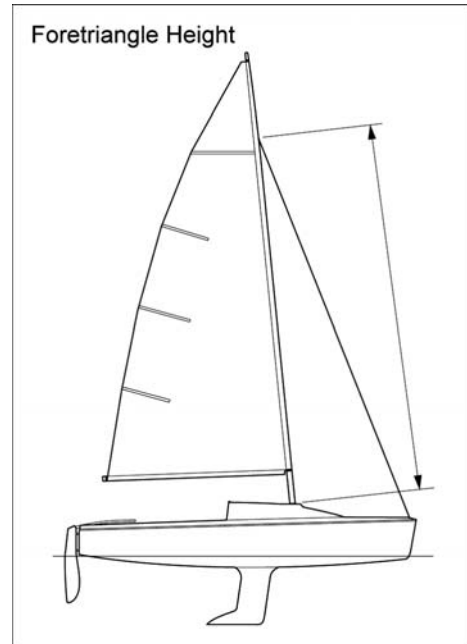
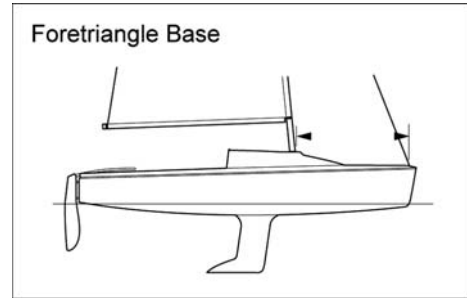
(b) FORETRIANGLE HEIGHT

The distance between the intersection of fore side of the mast **spar**, extended as necessary, and the deck including any superstructure, and the **forestay rigging point**.

See H.4.

(c) FORETRIANGLE AREA

Half the product of the **foretriangle base** and the **foretriangle height**.



Section G – Sail Definitions

Subsection A – Trilateral Sails

Definitions relating to **sails** with only three **sail edges**:

“MAINSAIL” also applies to **foremast sail** and **mizzen**.

“HEADSAIL” also applies to “jib” and “genoa”.

“SPINNAKER” also applies to “gennaker”.

G.1 GENERAL SAIL TERMS

G.1.1 Sail

An item of equipment attached to the **rig**, used to propel the **boat** including any of the following added parts when they are present:

sail reinforcements

batten pockets

windows

stiffening

tabling

attachments

other parts as permitted by **class rules**.

G.1.2 Set Flying

A **sail** set with no **sail edge** attached to the **rig**.

G.1.3 Sail Types

(a) MAINSAILS

A **sail** with the **luff** attached to a mast **spar**. The lower of the **sails** if more than one **sail** with the **luff** set to that **spar**.

(i) MAINSAIL

A **mainsail** with the **luff** attached to a **mainmast spar**.

(ii) FOREMAST SAIL

A **mainsail** with the **luff** attached to a **foremast spar**.

(iii) MIZZEN

A **mainsail** with the **luff** attached to a **mizzenmast spar**.

(b) HEADSAIL

A **sail** set forward of the mast **spar**, or of the foremost mast **spar** if more than one mast.

G.1.4 Sail Construction

(a) BODY OF THE SAIL

The **sail** excluding the areas where parts are added as per G.1.1.

(b) PLY

A sheet of sail material.

(c) SOFT SAIL

A **sail** where the **body of the sail** is capable of being folded flat in any direction without damaging any **ply** other than by creasing.

(d) WOVEN PLY

A **ply** which, when torn, can be separated into fibres without leaving evidence of a film.

(e) LAMINATED PLY

A **ply** made up of more than one layer.

(f) SINGLE-PLY SAIL

A **sail**, except at **seams**, where all parts of the **body of the sail** consist of only one **ply**.

(g) DOUBLE LUFF SAIL

A **sail** with more than one **luff**, or a **sail** passing around a **stay** or **spar** and attached back on itself.

(h) SEAM

Overlap where two or more **ply** forming the **body of the sail** are joined.

(i) DART

Overlap where an area cut out of one **ply** is joined.

(j) TUCK

Overlap where a **ply** is folded and joined.

(k) BATTEN POCKET

Additional **ply** to form a pocket for a batten.

(l) SAIL OPENING

Any opening other than openings created by **attachments** or **batten pockets**.

(m) WINDOW

Transparent **ply** covering a **sail opening**.

(n) STIFFENING

Corner boards and battens.

(o) ATTACHMENTS

Bolt ropes

tablings that surround, or are fixed to, bolt ropes

luff wires including any cringles and seizing

cringles

straps

hanks

slides

adjustment eyes

adjustment points

reefing eyes
reefing points, and
blocks and their fastenings.

See H.5.3.

(p) **SAIL EDGE SHAPE**

The shape of a **sail edge** as a comparison with a straight line between **corner points** or,
in the case of a **leech** other than of a gennaker or spinnaker, between the **clew point** and the **aft head point**.

G.2 SAIL EDGES

G.2.1 Foot

The bottom edge.

G.2.2 Leech

The aft edge.

G.2.3 Luff

The fore edge.

G.2.4 Sail Edge Hollow

Concavity in the shape of a **leech** between adjacent **batten pockets**, or a **batten pocket** and the adjacent **corner point**, or in the case of a **mainsail**, **foremast sail**, **mizzen** or a **headsail** other than a spinnaker or a gennaker, between the **aft head point** and the adjacent **batten pocket**.

G.3 SAIL CORNERS

G.3.1 Clew

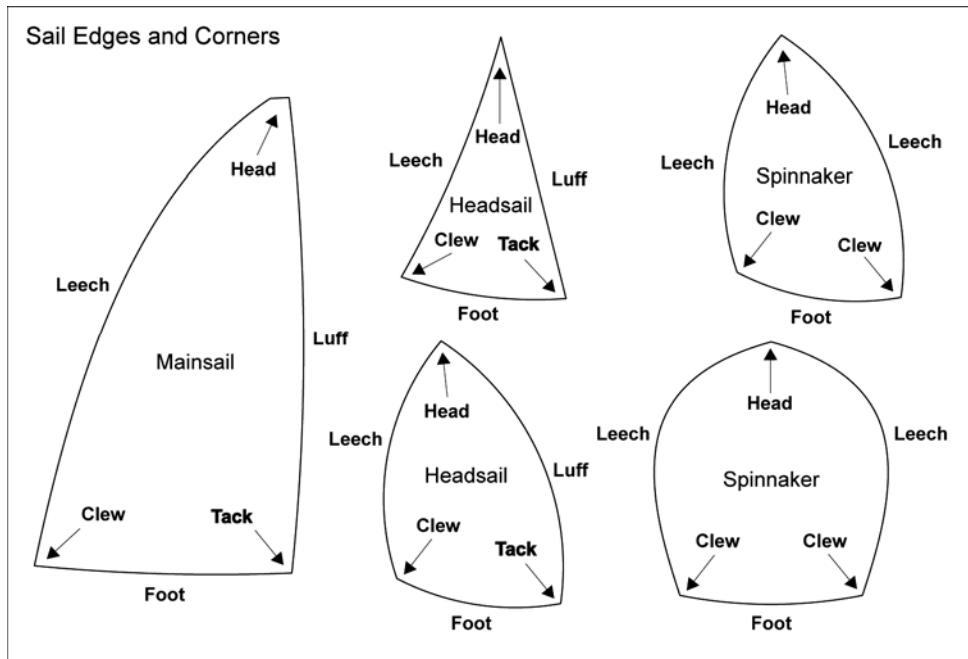
The area where the **foot** and the **leech** meet.

G.3.2 Head

The area at the top.

G.3.3 Tack

The area where the **luff** and the **foot** meet.



G.4 SAIL CORNER MEASUREMENT POINTS

G.4.1 Clew Point

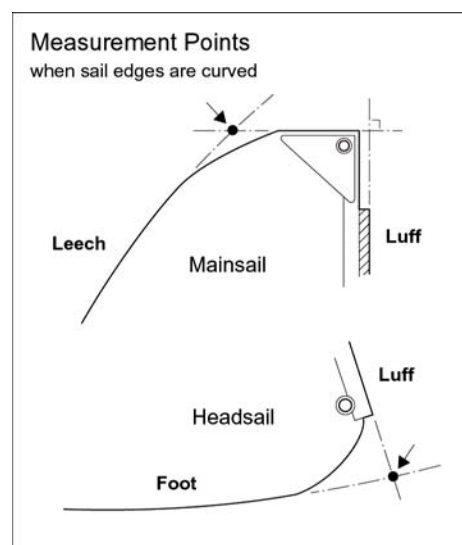
The intersection of the **foot** and the **leech**, each extended as necessary.

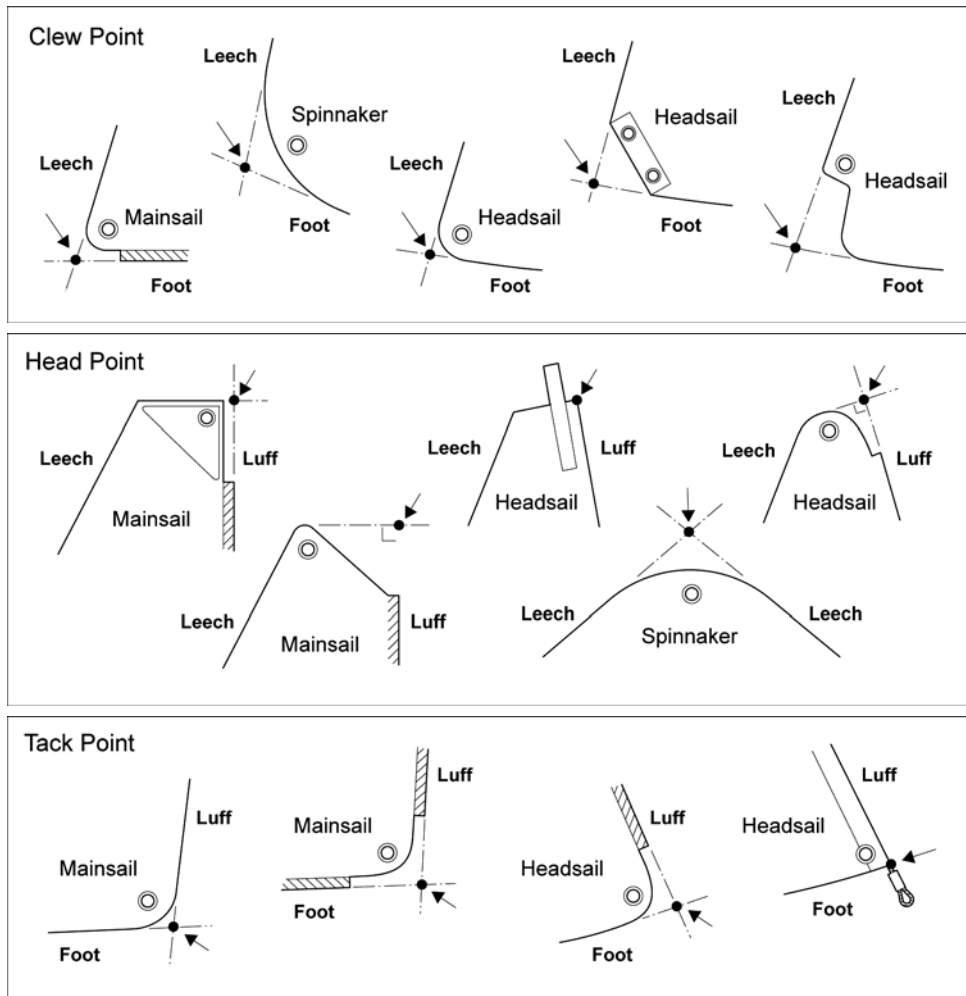
G.4.2 Head Point

- (a) **MAINSAIL:** The intersection of the **luff**, extended as necessary, and the line through the highest point of the **sail** at 90° to the **luff**.
- (b) **HEADSAIL:** The intersection of the **luff**, extended as necessary, and the line through the highest point of the **sail**, excluding **attachments**, at 90° to the **luff**.
- (c) **SPINNAKER:** The intersection of the **luff** and the **leech**, extended as necessary.

G.4.3 Tack Point

The intersection of the **foot** and the **luff**, each extended as necessary.





G.5 OTHER SAIL MEASUREMENT POINTS

G.5.1 Quarter Leech Point

The point on the **leech** equidistant from the **half leech point** and the **clew point**.

G.5.2 Half Leech Point

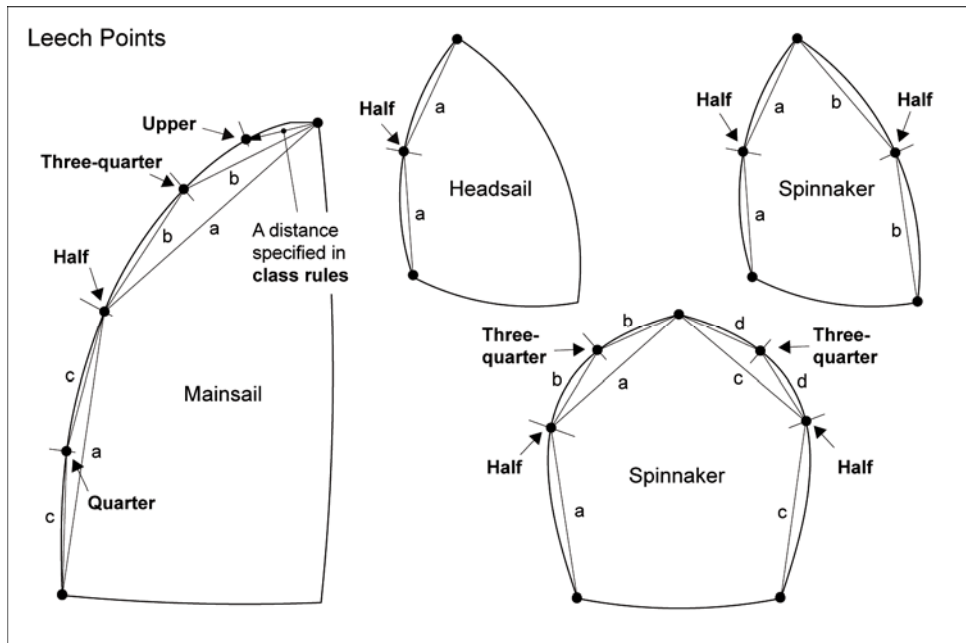
The point on the **leech** equidistant from the **head point** and the **clew point**.

G.5.3 Three-Quarter Leech Point

The point on the **leech** equidistant from the **head point** and the **half leech point**.

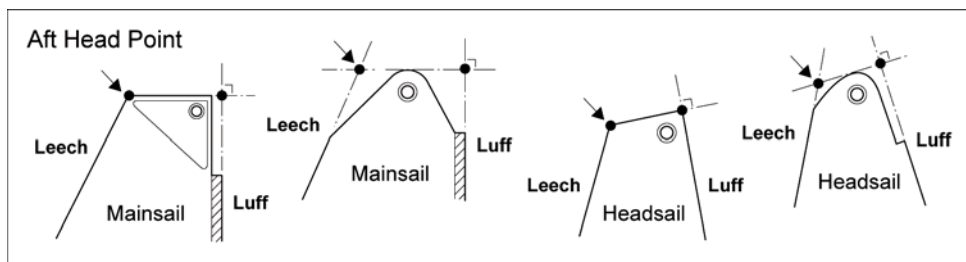
G.5.4 Upper Leech Point

The point on the **leech** a specified distance from the **head point**.



G.5.5 Aft Head Point

MAINSAIL and HEADSAIL: The intersection of the **leech** extended as necessary and the line through the **head point** at 90° to the **luff**.



G.5.6 Quarter Luff Point

The point on the **luff** equidistant from the **half luff point** and the **tack point**.

G.5.7 Half Luff Point

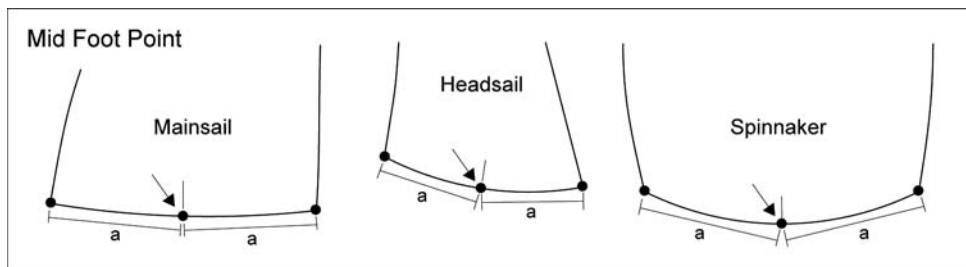
The point on the **luff** equidistant from the **head point** and the **tack point**.

G.5.8 Three-Quarter Luff Point

The point on the **luff** equidistant from the **head point** and the **half luff point**.

G.5.9 Mid Foot Point

The point on the **foot** equidistant from the **tack point** and the **clew point**.



G.6 SAIL REINFORCEMENT

G.6.1 Primary Reinforcement

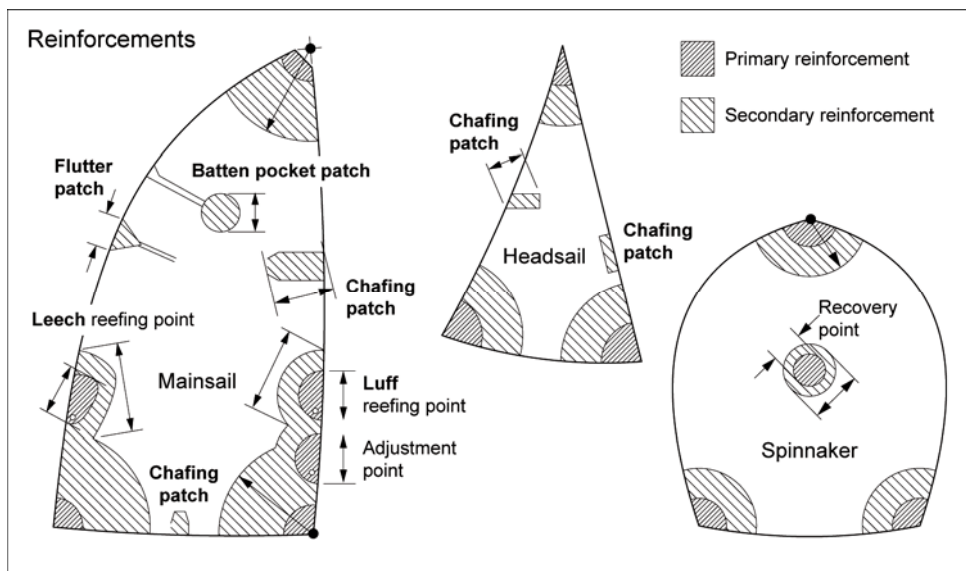
An unrestricted number of additional layers of **ply** of permitted material:

- at a corner
- at an adjustment point
- at a reefing point adjacent to the **luff**
- at a reefing point adjacent to the **leech**
- at a **sail** recovery point
- where permitted by the **class rules**

G.6.2 Secondary Reinforcement

Not more than two additional layers of **ply** of permitted material each not thicker than the maximum thickness of the **ply** of the **body of the sail**:

- at a corner
- at an adjustment point
- at a reefing point adjacent to the **luff**
- at a reefing point adjacent to the **leech**
- at a **sail** recovery point
- to form a **flutter patch**
- to form a **chafing patch**
- to form a **batten pocket patch**
- where permitted by the **class rules**



G.6.3 Tabling

Additional **ply** or folded **ply** overlap(s) at a **sail edge**.

G.6.4 Batten Pocket Patch

Secondary reinforcement at the inner end of a **batten pocket**.

G.6.5 Chafing Patch

Secondary reinforcement where a **sail** can touch a **spreader**, stanchion, **shroud** or **spinnaker pole**.

G.6.6 Flutter Patch

Secondary reinforcement on the **leech** or the **foot** at the end of a **seam**.

G.7 PRIMARY SAIL DIMENSIONS

See H.5.

G.7.1 Foot Length

The distance between the **clew point** and the **tack point**.

G.7.2 Leech Length

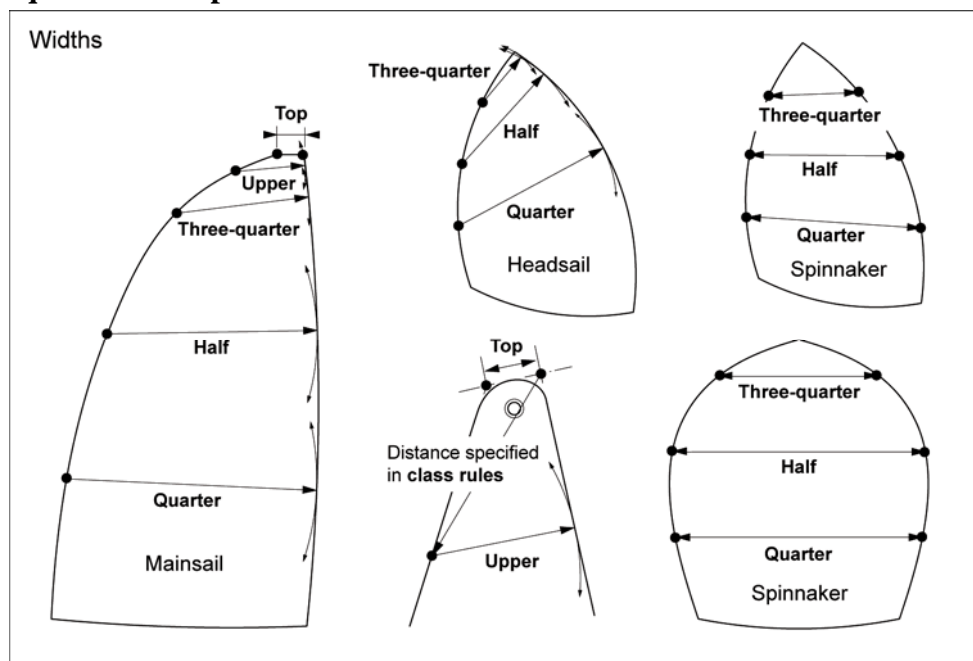
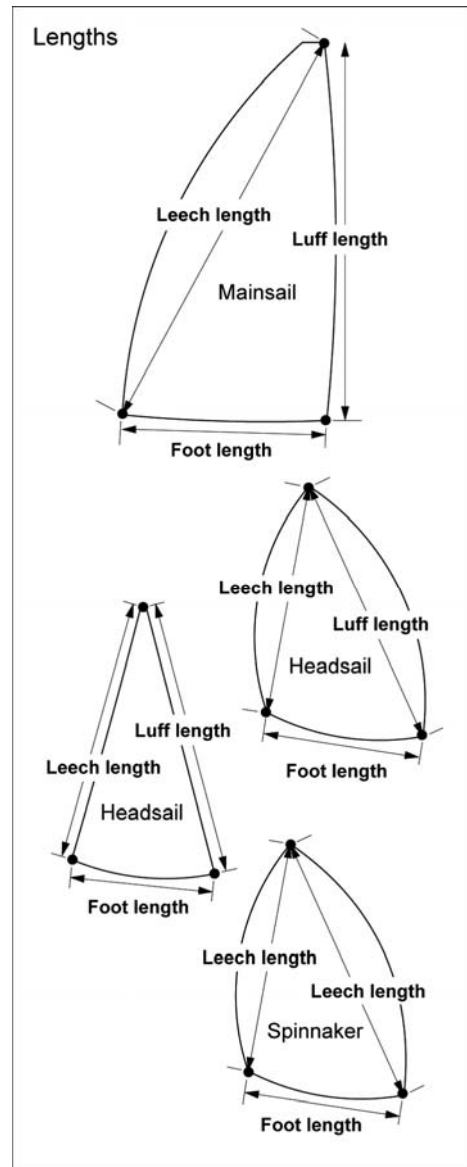
The distance between the **head point** and the **clew point**.

G.7.3 Luff Length

The distance between the **head point** and the **tack point**.

G.7.4 Quarter Width

- (a) MAINSAIL and HEADSAIL: The shortest distance between the **quarter leech point** and the **luff**.
- (b) SPINNAKER: The distance between the **quarter luff point** and the **quarter leech point**.



G.7.5 Half Width

- (a) MAINSAIL and HEADSAIL: The shortest distance between the **half leech point** and the **luff**.
- (b) SPINNAKER: The distance between the **half luff point** and the **half leech point**.

G.7.6 Three-Quarter Width

- (a) MAINSAIL and HEADSAIL: The shortest distance between the **three-quarter leech point** and the **luff**.
- (b) SPINNAKER: The distance between the **three-quarter luff point** and **three-quarter leech point**.

G.7.7 Upper Width

- (a) MAINSAIL and HEADSAIL: The shortest distance between the **upper leech point** and the **luff**.
- (b) SPINNAKER: The distance between the **upper leech points**.

G.7.8 Top Width

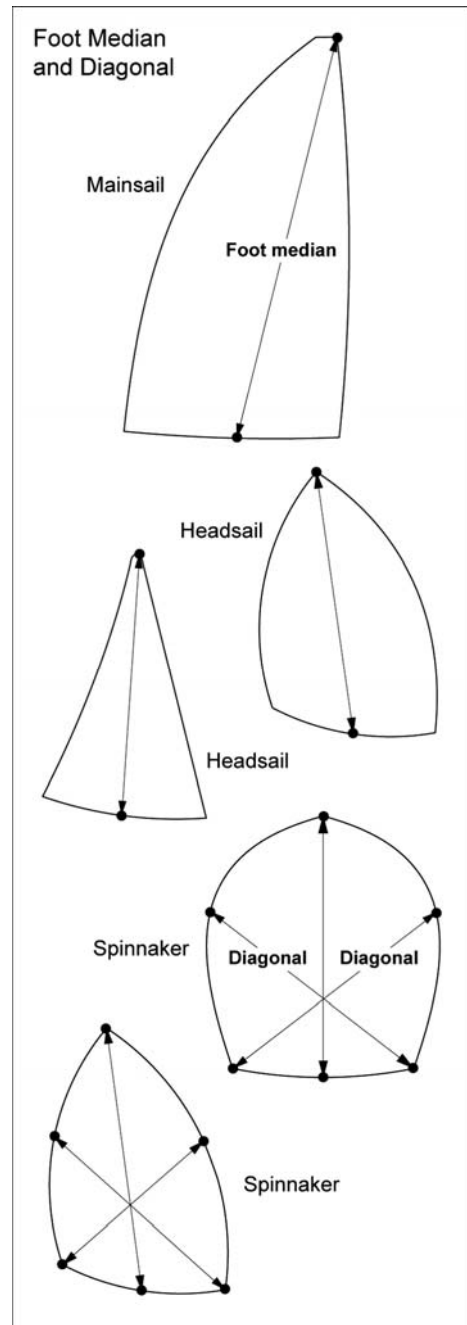
- (a) MAINSAIL and HEADSAIL: The distance between the **head point** and the **aft head point**.

G.7.9 Diagonals

- (a) CLEW DIAGONAL: The distance between the **clew point** and the **half luff point**.
- (b) TACK DIAGONAL: The distance between the **tack point** and the **half leech point**.

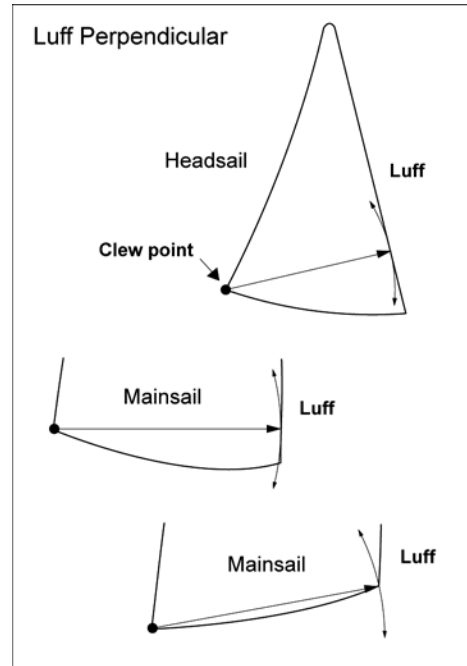
G.7.10 Foot Median

The distance between the **head point** and the **mid foot point**.



G.7.11 Luff Perpendicular

The shortest distance between the **clew point** and the **luff**.



G.8 OTHER SAIL DIMENSIONS

See H.5.

G.8.1 Batten Pocket Length

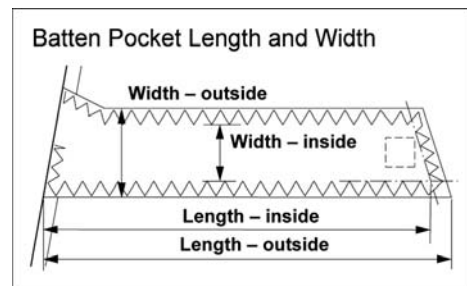
(a) **INSIDE:** The greatest distance between the **sail edge** and the internal extreme end of the **batten pocket**, measured parallel to the pocket centreline. The effect of any elastic or other retaining device and any local widening for batten insertion shall be ignored.

(b) **OUTSIDE:** The greatest distance between the **sail edge** and the external extreme end of the **batten pocket**, measured parallel to the pocket centreline. The effect of any local widening for batten insertion shall be ignored.

G.8.2 Batten Pocket Width

(a) **INSIDE:** The greatest distance between inside edges of the **batten pocket** measured at 90° to pocket centreline. Local widening for batten insertion shall be ignored.

(b) **OUTSIDE:** The greatest distance between the outside edges of the **batten pocket** measured at 90° to the pocket centreline. Local widening for batten insertion shall be ignored.



G.8.3 Foot Irregularity

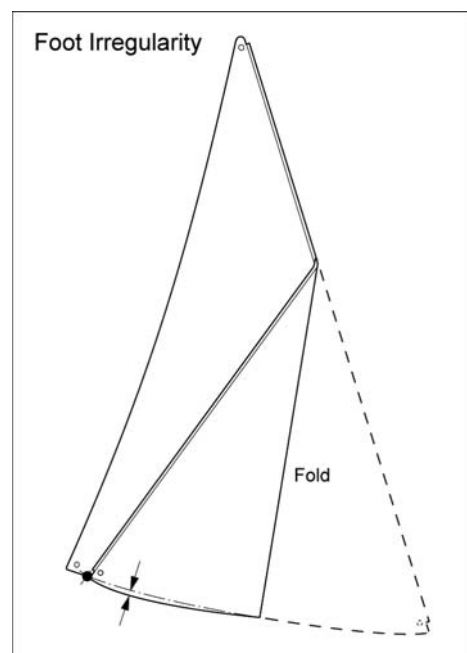
The maximum distance between the edges of the **foot** when first the **tack point** and then the **clew point** are superimposed on any part of the **foot**.

G.8.4 Reinforcement Size

(a) **AT A CORNER:** The greatest dimension of the **sail reinforcement** from a **sail corner measurement point**.

(b) **TABLING WIDTH:** The width of a **tabling** measured at 90° to the **sail edge**.

(c) **ELSEWHERE:** The greatest dimension of the **sail reinforcement**.



G.8.5 Seam Width

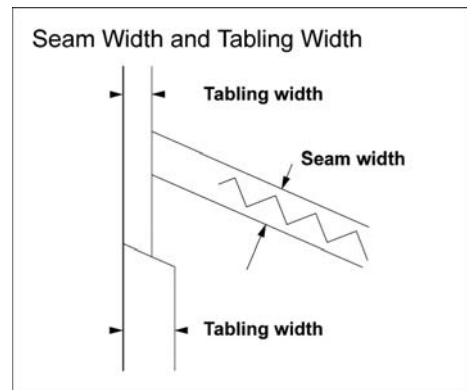
The width of a **seam** measured at 90° to the **seam**.

G.8.6 Dart Width

The width of a **dart** measured at 90° to the **dart** centreline.

G.8.7 Tuck Width

The width of a **tuck** measured at 90° to the **tuck** centreline.



G.8.8 Attachment Size

(a) AT A CORNER OR AN EDGE

(i) LENGTH

AT THE HEAD: The dimension from the **head point** along the **luff** or its extension to a line through the highest point of the **attachment** at 90° to the **luff**.

AT THE TACK: The dimension from the **tack point** along the **luff** or its extension to a line through the lowest point of the **attachment** at 90° to the **luff**.

AT THE CLEW: The greatest dimension from the **clew point**.

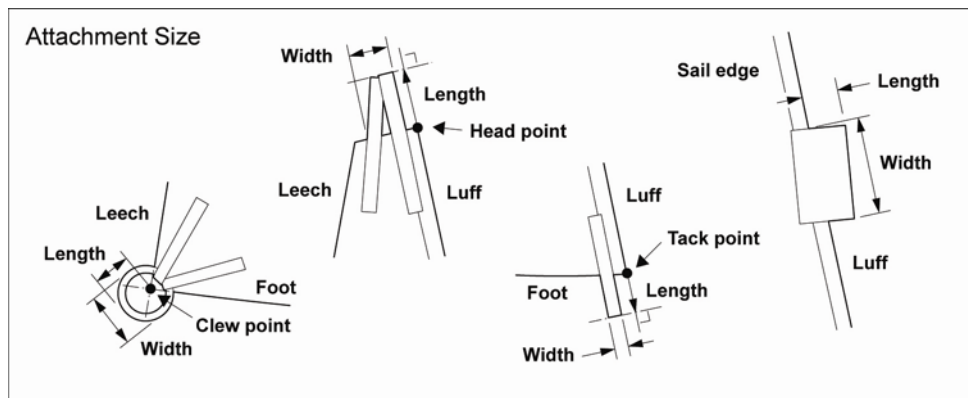
AT AN EDGE: The greatest dimension from the **sail edge**.

(ii) WIDTH

The greatest dimension measured perpendicular to the length.

(b) ELSEWHERE

The greatest dimension of the **attachment**.



Subsection B – Additions for Other Sails

The following definitions for non-trilateral sails are additional to or vary those given in Subsection A of this Section.

G.2 SAIL EDGES

G.2.4 Head

The top edge.

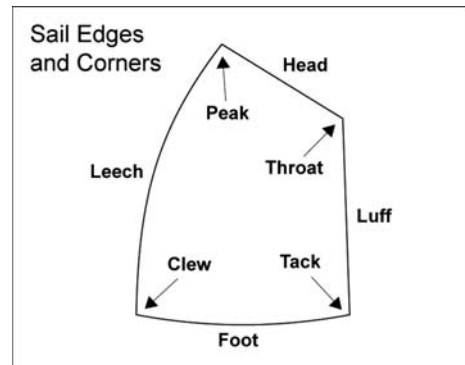
G.3 SAIL CORNERS

G.3.4 Peak

The area where the **head** and the **leech** meet.

G.3.5 Throat

The area where the **head** and the **luff** meet.



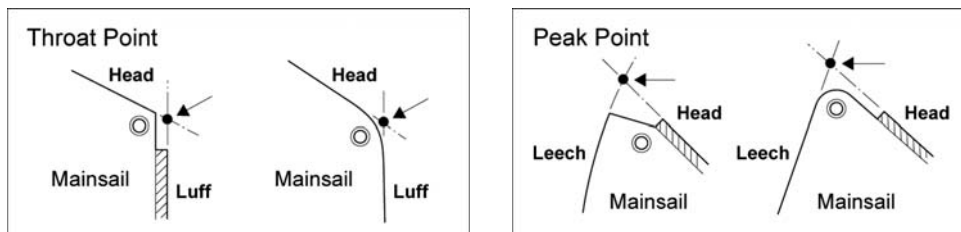
G.4 SAIL CORNER MEASUREMENT POINTS

G.4.4 Peak Point

The intersection of the **head** and **leech**, each extended as necessary.

G.4.5 Throat Point

The intersection of the **head** and **luff**, each extended as necessary.



G.5 OTHER SAIL MEASUREMENT POINTS

G.5.2 Half Leech Point

The point on the **leech** equidistant from the **peak point** and the **clew point**.

G.5.3 Three-Quarter Leech Point

The point on the **leech** equidistant from the **peak point** and the **half leech point**.

G.5.4 Upper Leech Point

The point on the **leech** a specified distance from the **peak point**.

G.7 PRIMARY SAIL DIMENSIONS

See H.5.

G.7.2 Leech Length

The distance between the **peak point** and the **clew point**.

G.7.3 Luff Length

The distance between the **throat point** and the **tack point**.

G.7.9 Diagonals

(a) CLEW DIAGONAL

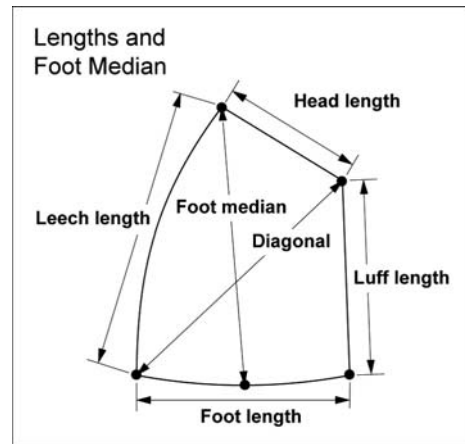
The distance between the throat point and the clew point.

G.7.10 Foot Median

The distance between the **peak point** and the **mid foot point**.

G.7.12 Head Length

The distance between the **peak point** and the **throat point**.



PART 3 – RULES GOVERNING EQUIPMENT CONTROL AND INSPECTION

Section H – Equipment Control and Inspection

H.1 CERTIFICATION CONTROL

- H.1.1 An **official measurer** shall not carry out **certification control** of any part of a **boat** owned, designed or built by himself, or in which he is an interested party, or has a vested interest, except where permitted by the MNA or ISAF for In-House Certification.
- H.1.2 If an **official measurer** is in any doubt as to the application of, or compliance with, the **class rules** he shall consult the **certification authority** before signing a certification control form or attaching a **certification mark**.
- H.1.3 An **official measurer** shall only carry out **certification control** in another country with the prior agreement of the MNA for that country.

H.2 EQUIPMENT INSPECTION

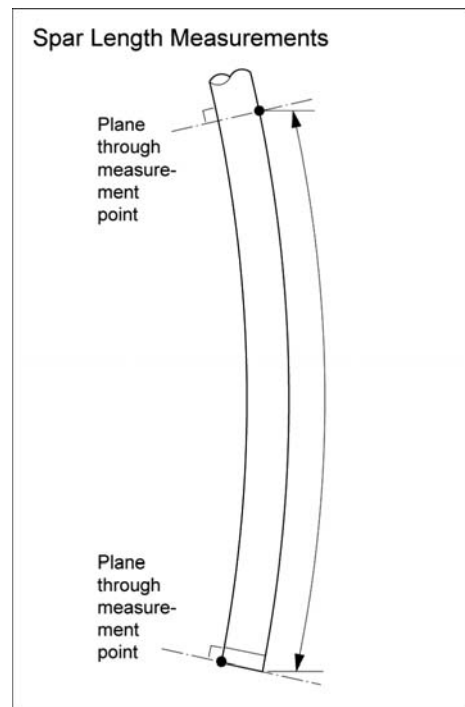
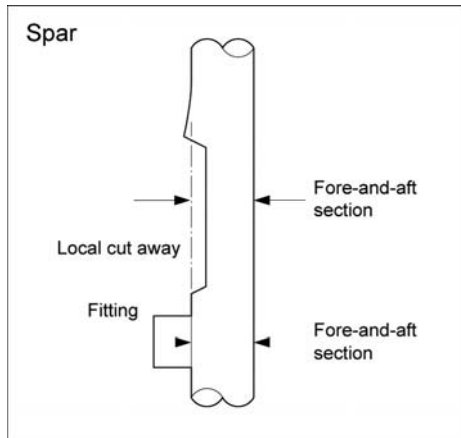
- H.2.1 If an **equipment inspector** is in any doubt as to the application of, or compliance with, the **class rules**, the question should be referred to the authority responsible for interpreting the **class rules**.

H.3 MEASUREMENT AXES

- H.3.1 For a **boat**, unless otherwise specified, words such as “fore”, “aft”, “above”, “below”, “height”, “depth”, “length”, “beam”, “freeboard”, “inboard” and “outboard” shall be taken to refer to the **boat** in **measurement trim**. All measurements denoted by these, or similar words, shall be taken parallel to one of the three **major axes**.
- H.3.2 For a component, unless otherwise specified, width, thickness, length etc. shall be measured as appropriate for that component, if relevant without reference to the **major axes**.
- H.3.3 Unless otherwise specified, measurements shall be the shortest distance between the measurement points.
- H.3.4 Unless otherwise specified, longitudinal measurements shall be taken parallel to the longitudinal **major axis**.

H.4 RIG MEASUREMENT

H.4.1 Measurements in the length direction shall be taken along the **spar** at the side relevant for the measurement and between sectional planes through the measurement points at 90° to the **spar** at each point.



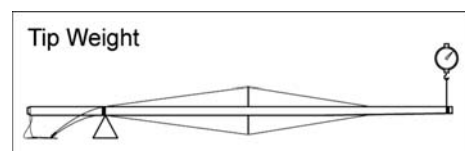
H.4.2 Fittings, local curvature and local cut away, shall be ignored when measuring a **spar** or dimensions taken to a **spar**.

H.4.3 No external pressure shall be applied to a **spar** when measuring unless specifically prescribed.

H.4.4 Adjustable fittings shall be set in the position that gives the greatest value when the measurement is taken.

H.4.5 **Mast spar deflection** and **boom spar deflection** shall be checked with free ends of **rigging** not supported by the **spar**.

H.4.6 **Mast tip weight** shall be checked with any **halyards** fully hoisted and **rigging** tied to the **spar** at the **lower limit mark** with lower ends hanging free or resting on the ground.



H.5 SAIL MEASUREMENT

H.5.1 Conditions of Sail

The **sail** shall:

- be dry
- not be attached to **spars** or **rigging**
- have all battens removed
- have pockets of any type flattened out
- have just sufficient tension applied to remove wrinkles across the line of the measurement being taken, and
- have only one measurement taken at a time.

H.5.2 Hollows in Sail Edges

Where the **sail edge hollow** and a measurement point falls in the hollow,

between adjacent **batten pockets**

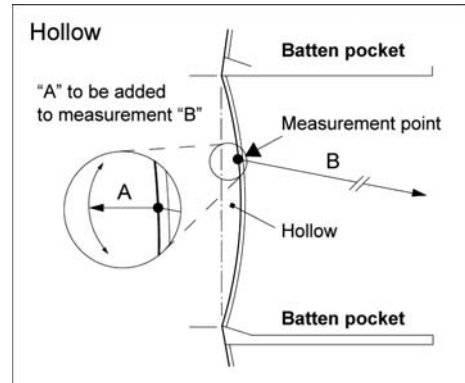
between the **aft head point** and adjacent **batten pocket**

between the **clew point** and adjacent **batten pocket**

between the **tack point** and adjacent **batten pocket**

at an **attachment**.

the **sail** shall be flattened out in the area of the **sail edge**, the **sail edge hollow** shall be bridged by a straight line and the shortest distance from the measurement point to the straight line shall be measured. This distance shall be added to the measurement being taken.



H.5.3 Excluding Attachments

Attachments at a **sail edge**, other than a bolt rope and **tabling**, shall be ignored when measuring.

H.6 CHECKING MATERIALS

Unless specifically prescribed by the **class rules**, materials are not subject to **certification control**.

H.7 WEIGHT MEASUREMENT

H.7.1 Conditions for Weight Measurement

The **boat** shall:

be dry.

be in compliance with the **class rules**.

INDEX OF DEFINITIONS

Defined Term	Rule	
Aft Head Point	G.5.5	Clew
Attachment Size	G.8.8	Clew Diagonal (trilateral sails) .
Attachments	G.1.4(o)	Clew Diagonal (other sails) .
Backstay	F.1.6(b)(ii)	Clew Point
Backstay Height	F.2.3(g)	Closed Class Rules
Ballast	C.6.3(e)	Corrector Weight
Batten Pocket	G.1.4(k)	Crew
Batten Pocket Length	G.8.1	Cutter Rig
Batten Pocket Patch	G.6.4	Daggerboard
Batten Pocket Width	G.8.2	Dart
Bilge Keel	E.1.2(b)	Dart Width
Bilgeboard	E.1.2(i)	Diagonal (trilateral sails)
Boat	C.6.1	Double Luff Sail
Boat Beam	C.6.4(b)	Draft
Boat Length	C.6.4(a)	Event Limitation Mark
Boat Weight	C.6.4(h)	External Ballast
Body of the Sail	G.1.4(a)	Equipment Inspection
Boom	F.1.4(c)	Equipment Inspector
Boom Spar Cross Section	F.3.3(d)	Fin
Boom Spar Curvature	F.3.3(b)	Flutter Patch
Boom Spar Deflection	F.3.3(c)	Foot
Boom Weight	F.3.3(e)	Foot Irregularity
Bowsprit	F.1.4(e)(iii)	Foot Length
Bowsprit Inner Limit Mark	F.5.2(a)	Foot Median (trilateral sails)
Bowsprit Inner Point	F.5.1(a)	Foot Median (other sails)
Bowsprit Outer Limit Mark	F.5.2(b)	Foremast
Bowsprit Outer Point	F.5.1(b)	Foremast Sail
Bowsprit Point Distance	F.5.3(a)	Foresail Boom
Bowsprit Spar Cross Section	F.5.3(b)	Forestay
Bowsprit Weight	F.5.3(c)	Forestay Height
Bulb	E.1.2(e)	Foretriangle.....
Bumpkin	F.1.4(e)(iv)	Foretriangle Area
Canting Keel	E.1.2(c)	Foretriangle Base
Centreboard	E.1.2(g)	Foretriangle Height
Certificate	C.3.3	Fundamental Measurement
Certification – see “Certify”		Gaff
Certification Authority	C.3.1	Half Leech Point (trilateral sails) ..
Certification Control	C.4.2	Half Leech Point (other sails) ...
Certification Mark	C.3.4	Half Luff Point
Certify	C.3.2	Half Width
Chafing Patch	G.6.5	Halyard
Checkstay	F.1.6(b)(iv)	Head (trilateral sails)
Checkstay Height	F.2.3(h)	Head (other sails)
Class Authority	C.1.1	Head Length
Class Rules	C.2.1	Head Point
Class Rules Authority	C.2.4	Headsail
		Headsail Boom

INDEX OF DEFINITIONS

Heel Point	F.2.1(b)	Open Class Rules	C.2.3
Hull	D.1.1	Outhaul	F.1.6(b)(v)
Hull Appendage	E.1.1	Outer Limit Mark (boom)	F.3.2(a)
Hull Beam	D.3.2	Outer Limit Mark (bowsprit)	F.17.2
Hull Datum Point	D.2.1	Outer Point	F.3.1(a)
Hull Length	D.3.1	Outer Point Distance	F.3.3(a)
Hull Weight	D.4.1	Peak	G.3.4 * ¹
In-house Official Measurer	C.4.5	Peak Point	G.4.4 * ¹
International Measurer	C.4.7	Personal Buoyancy	C.1.4
Internal Ballast	C.6.3(e)(i)	Personal Equipment	C.5.3
Keel	E.1.2(a)	Personal Flotation Device	C.5.4
Ketch Rig	F.1.2(d)	Ply	G.1.4(b)
Kite-Board	C.6.2(d)	Primary Reinforcement	G.6.1
Laminated Ply	G.1.4(e)	Quarter Leech Point	G.5.1
Leech	G.2.2	Quarter Luff Point	G.5.6
Leech Length (trilateral sails)	G.7.2	Quarter Width	G.7.4
Leech Length (other sails)	G.7.2 * ¹	Reinforcement Size	G.8.4
Limit Mark	C.4.8	Rig	F.1.1
Limit Mark Width	F.1.9(a)(i)	Rigging	F.1.5
Lower Limit Mark	F.2.2	Rigging Point	F.2.3(d)
Lower Point	F.2.1(d)	Rudder	E.1.2(j)
Lower Point Height	F.2.3(b)	Running Backstay	F.1.6(b)(iii)
Luff	G.2.3	Running Rigging	F.1.6(b)
Luff Length (trilateral sails)	G.7.3	Sail	G.1.1
Luff Length (other sails)	G.7.3 * ¹	Sail Corners (trilateral sails)	G.3
Luff Perpendicular	G.7.11	Sail Corners (other sails)	G.3* ¹
Mainsail	G.1.3(a)(i)	Sail Edge Hollow	G.2.4
Main Boom	F.1.4(d)(iii)	Sail Edge Shape	G.1.4(p)
Main Mast	F.1.4(b)(i)	Sail Edges (trilateral sails)	G.2
Major Axes	C.6.3(a)	Sail Edges (other sails)	G.2* ¹
Mast	F.1.4	Sail Opening	G.1.4(l)
Mast Datum Point	F.2.1(a)	Schooner Rig	F.1.2(f)
Mast Length	F.2.3(a)	Seam	G.1.4(h)
Mast Spar Cross Section	F.2.3(m)	Seam Width	G.8.5
Mast Spar Curvature	F.2.3(k)	Secondary Reinforcement	G.6.2
Mast Spar Deflection	F.2.3(l)	Set Flying	G.1.2
Mast Spar Weight	F.2.3(o)	Sheer	D.1.3
Mast Tip Weight	F.2.3(p)	Sheerline	D.1.2
Mast Weight	F.7.15	Sheet	F.1.6(b)(vi)
Maximum Draft	C.6.4(g)	Shroud	F.1.6(a)(i)
Measurement Trim	C.6.3(b)	Shroud Height	F.2.3(f)
Mid Foot Point	G.5.9	Single-Ply Sail	G.1.4(f)
Minimum Draft	C.6.4(f)	Skeg	E.1.2(f)
Mizzen	G.1.3(a)(iii)	Skipper	C.5.2
Mizzen Boom	F.1.4(d)(iv)	Sloop Rig	F.1.2(b)
Mizzen Mast	F.1.4(b)(iii)	Soft Sail	G.1.4(c)
Monohull	C.6.2(a)	Spar	F.1.3
Movable Ballast	C.6.3(e)(iii)	Spinnaker Guy	F.1.6(b)(vii)
Multihull	C.6.2(b)	Spinnaker Hoist Height	F.2.3(j)
Official Measurer	C.4.4	Spinnaker Pole	F.1.4(e)(i)

INDEX OF DEFINITIONS

Spinnaker Pole Fitting Height	F.2.4(b)(i)	Windsurfer	C.6.2(c)
Spinnaker Pole Fitting Projection	Woven Ply	G.1.4(d)
.....	F.2.4(b)(ii)	Yard	F.1.4(e)(vii)
Spinnaker Pole Length	F.4(a)	Yawl Rig	F.1.2(e)
Spinnaker Pole Spar Cross Section		
.....	F.4(b)		
Spinnaker Pole Weight	F.4(c)		
Spreader	F.1.7		
Spreader Height	F.2.4(a)(ii)		
Spreader Length	F.2.4(a)(i)		
Sprit	F.1.4(e)(vi)		
Standing Rigging	F.1.6(a)		
Stay	F.1.6(a)(ii)		
Stiffening	G.1.4(n)		
Tabling	G.6.3		
Tabling Width	G.8.6		
Tack	G.3.3		
Tack Diagonal	G.7.9(b)		
Tack Point	G.4.3		
Three-Quarter Leech Point (trilateral sails)		
.....	G.5.3		
Three-Quarter Leech Point (other sails)		
.....	G.5.3 * ¹		
Three-Quarter Luff Point	G.5.8		
Three-Quarter Width	G.7.6		
Throat	G.3.5 * ¹		
Throat Point	G.4.5 * ¹		
Top Point	F.2.1(c)		
Top Width	G.7.8		
Trapeze Height	F.2.3(i)		
Trim Tab	E.1.2(k)		
Tuck	G.1.4(j)		
Tuck Width	G.8.7		
Una Rig	F.1.2(a)		
Upper Leech Point (trilateral sails)	G.5.4		
Upper Leech Point (other sails)	G.5.4 * ¹		
Upper Limit Mark	F.2.2(b)		
Upper Point	F.2.1(e)		
Upper Point Height	F.2.3(c)		
Upper Width	G.7.7		
Variable Ballast	C.6.3(e)(iv)		
Waterline	C.6.3(c)		
Waterline Length	C.6.4(c)		
Waterplane	C.6.3(d)		
Wishbone Boom	F.1.4(d)(v)		
Whisker Pole	F.1.4(e)(ii)		
Whisker Pole Length	F.4(a)		
Whisker Pole Spar Cross Section	F.4(b)		
Whisker Pole Weight	F.4(c)		
Window	G.1.4(m)		

*¹ See Section G, Subsection B –
Additions for Other Sails